

CATALOGUE 2024

PREMIUM GUEST EXPERIENCE

PROFESSIONAL EQUIPMENT FOR HOTELS AND RESTAURANTS

 **DOMETIC** **PROFESSIONAL**





THE NUMBER ONE CHOICE

Welcome to Dometic!

Whether it's a family-run Bed & Breakfast or the world's first 7-star hotel, the hospitality industry trusts us to deliver high-quality solutions for enhanced guest satisfaction. Today you can find millions of Dometic minibars, room safes and wine coolers in hotels of all star categories across the world – something we are very proud of. Our latest products are now here for you to explore. Welcome to our new catalogue – enjoy browsing and let us know what we can do for you.



MINIBARS

Choose from our comprehensive range of minibars. Find the solution to suit the requirements of your guests the style of your interior.

PAGE 06 – 29

SAFES

Enhance the well-being of your guests by giving them the peace of mind that their valuables are safely stored.

PAGE 30 – 41

WINE COOLERS

Full range of wine coolers.

PAGE 42 – 55

MOBAR

The innovative mobile bar.

PAGE 56 – 65

RESTAURANT & CATERING

Food delivery solutions.

PAGE 66 – 69

MINIBARS

Dometic minibars intro	6 – 13
HiPro minibars	14 – 23
Drawer minibars	24 – 25
Classic minibars	26 – 27
Ventilation guidelines	28 – 29
HiPro exchange guide	30 – 31

SAFES

Dometic safes intro	32 – 35
Dometic Premium Class	36 – 39
Dometic Standard Class	40 – 43

WINE COOLERS

Dometic wine coolers intro	44 – 45
DrawBar	46 – 49
Built-in wine coolers	50 – 53
Free-standing wine coolers	54 – 55
Wine cooler accessories	56 – 57

MOBAR

MoBar	58 – 67
--------------	----------------

RESTAURANT & CATERING

Restaurant & Catering intro	68 – 69
Delivery box	70 – 71

DOMETIC ON THE WEB

Here's where you can find the complete Dometic range, with detailed information about all products. Plus, interesting facts about our company and download links for all our catalogues.

DOMETIC.COM/PROFESSIONAL





BARS

PIONEERING INDUSTRY.

GIVE YOUR GUESTS AN UNFORGETTABLE STAY

You will find more Dometic minibars and safes than any other make in first-class hotels across the world. Why? Know-how accumulated more than over 50 years, a track record of innovation as well as leading design solutions are the three main reasons.

The top of the line Dometic HiPro Evolution and Alpha range minibars are developed with your business experience in mind. A sustainable minibar is a smart minibar. The HiPro Evolution range is just that. Boasting precise temperature control, world-class efficiency and the best minibar cooling capacity, the premium Dometic HiPro range ensures chromate-free absorption technology checks in for a clean, sustainable future in your hotel.

Our modern and energy-efficient range of noiseless drawer minibars (Dometic DM 20 drawer minibar).



THE HOTEL AGAIN.

Dometic HiPro minibars

The next generation of minibars

The state-of-the-art design of Dometic HiPro will help you create a premium in-room feeling. With sleek design, elegant illumination and crystal clear doors, invite your guests to treat themselves to something special.

Sustainability checking in

Sustainability means doing more with less. It's a philosophy we put into action with outstanding energy efficiency and the first chromate free minibar range on the market. A sustainable minibar is a smart minibar. The all new HiPro range delivers more powerful cooling with up to 40% less energy consumption, making a visible difference in OPEX for hotel owners.

Read more on this on p. 12



Dometic drawer minibars

Unique design, outstanding construction

Our drawer minibars are a class of their own in terms of design, size and functionality. Noiseless cooling, convenient slide-out access.

Read more on this on p. 24

DRIVING SUSTAINABILITY IN OUR INDUSTRY

After recently having been granted the “Most Efficient 2024” EnergyStar certification in the USA, Dometic also scored the “Leader Level” for its minibar products in the MindClick Sustainability Assessment Program (MSAP) of the hospitality sector. These accomplishments stand as a testament to the dedication and hard work of our exceptional team. We are committed to maintaining and even elevating our efforts in driving sustainability in our industry.

More and more hotel guests today expect a sustainable travel experience. Dedicated to a more sustainable lifestyle, they seek to reduce their overall carbon footprint – including that of their travels. When it comes to choosing their holiday accommodation, they are likely to prefer hotels that share their mindset. The MindClick Sustainability Assessment Program (MSAP) helps traveller and hotel brands to make well informed decisions in the jungle of labels and certifications.

The MindClick methodology rates candidates into three levels based on their scores: Starter, Achiever or Leader. Dometic achieved notably high scores in the rating, with emphasis on hotel impact, end-of-use considerations, packaging, and social/environmental aspects of production. That means that Dometic minibars are currently performing at “Leader Level”, which is not only an achievement we are proud of, but also a motivation to keep up our efforts in developing sustainable solutions for the future.



DOUBLE STAR AWARD

In addition to numerous other international awards, the Dometic HiPro minibar generation received the golden Star Award in the Food & Beverage category. This well-known award is voted by readers and decision-makers in the hotel industry and thus sets a clear exclamation mark behind this latest generation of minibars.

The Dometic MoBar was also successful and received the gold Star Award in the Technik category.



MORE INFORMATION
ABOUT STAR AWARD



DOMETIC MINIBARS

Always at your service

Premium can't be measured. It's all about the first impression, elegant design, and the silence that your guests appreciate. What can be measured is efficiency. With improved cooling performance and up to 40% lower energy consumption, it's clear to see why the HiPro range is considered the world's best minibar. After more than 50 years in the hotel business and 6 million installed units, we're proud to say that we're pioneering the hotel industry. Again.

1. COST REDUCTION

The new HiPro offers best-in-class energy efficiency – no matter which cooling technology is used.

2. SUSTAINABILITY

We work hard to achieve even lower footprints within manufacturing as well as energy consumption.

**PIONEERING
THE HOTEL INDUSTRY.
AGAIN.**

We believe in sustainable innovation for a better guest experience.

3. GUEST EXPERIENCE

HiPro will not only deliver premium cooling performance – it is also an attractive and sales promoting feature in the guest room.

4. STRONG PARTNERSHIP

After more than 50 years in the hotel business we have a strong promise to ensure care free maintenance.

COOLING TECHNOLOGY

Dometic HiPro minibars are available with three different cooling technologies: absorption, thermoelectric, and compressor cooling. All have been improved and refined in the new HiPro range with the best cooling capacity and lowest energy consumption on the market – up to 40% less compared to standard units.

- Improved cooling performance
- Best-in-class energy efficiency
- Sustainable production and footprint
- Global sales and service network

1. ABSORPTION

Up to 40% lower energy consumption.

2. THERMOELECTRIC (NTE)

Up to 20% lower energy consumption.

3. COMPRESSOR

Up to 50% lower energy consumption.



NEXT GENERATION MINIBARS

DOMETIC HIPRO

WE DEVELOPED HIPRO WITH HOTEL GUESTS IN MIND

A well-stocked minibar is an expected and appreciated hotel room feature for well-traveled hotel guests. Let's have a deeper look at some outstanding features we offer to the market with the all-new HiPro minibar generation:



1

Lower energy consumption

Dometic's new HiPro range will reduce energy consumption by up to 40%.

2

Premium guest experience

New HiPro will be an attractive and sales-promoting feature in the guest room.

3

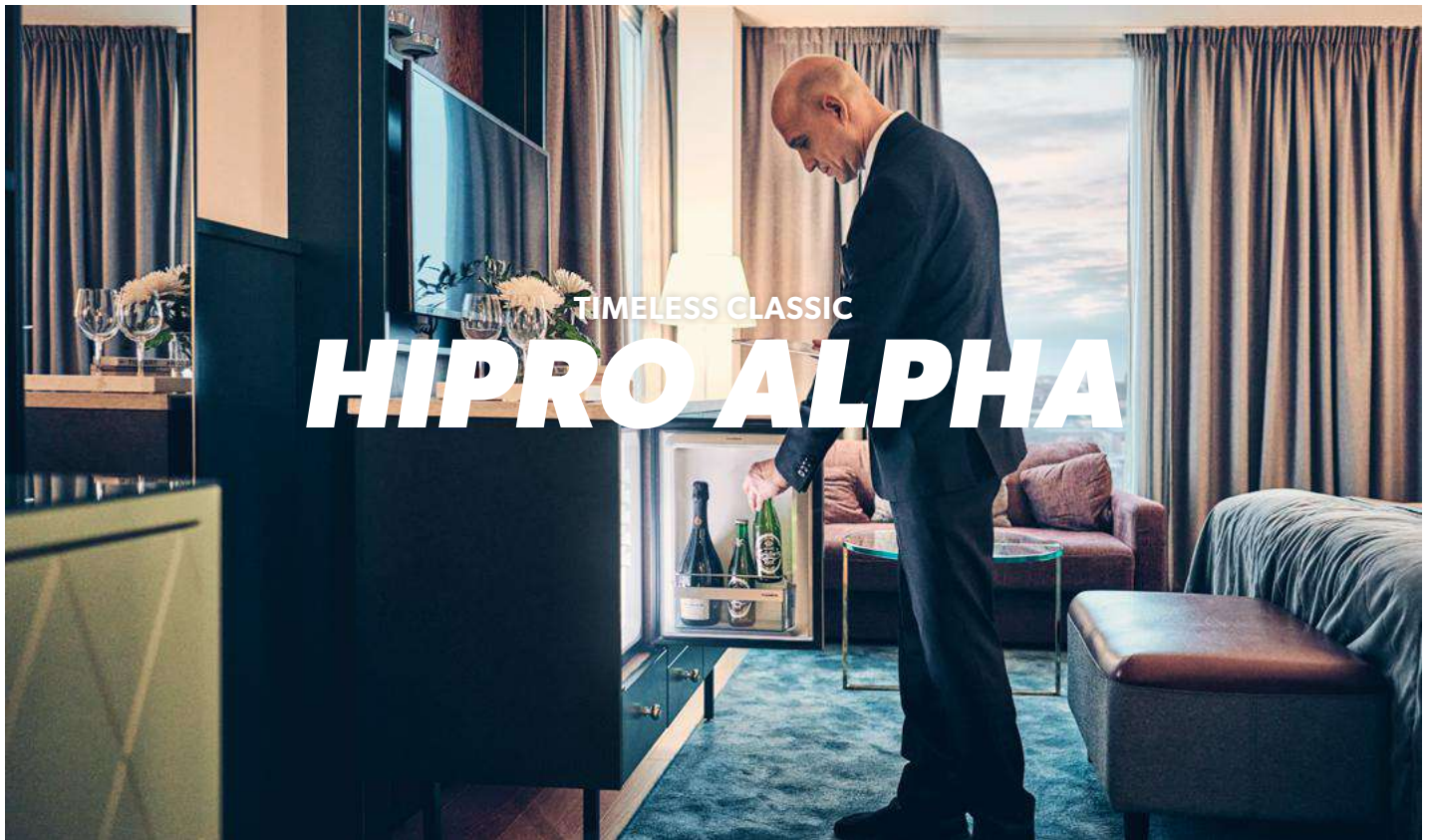
Improved cooling power

Improved cooling capabilities with updated and optimized functionality.

4

A strong partner

With more than 50 years of experience and more than 6 million installed units; we are a proven partner.



Many business travellers are constantly on the move living a suitcase life. Most days represent hard work with long hours – arriving late to the room preparing for the next day’s meeting while burning the midnight oil. That’s why the minibar is a much-appreciated feature offering cold beverages and energizing snacks. For the leisure tourist, the hotel minibar is an opportunity to enjoy a cold beverage at the late arrival check-in, after a long city excursion and while getting ready for a fun night out – or perhaps waking up with a need to quench the thirst.



N30S



Shelves

Plastic without decorative trim



Celebrating menu illumination

Top LED light



Door-racks and balconies

Door-rack 1,5 L bottles

MODEL	ALPHA N30S	ALPHA A30S	ALPHA N40S	ALPHA A40S	ALPHA C40S
Cooling technology	Thermoelectric	Absorption	Thermoelectric	Absorption	Compressor
Model class (litre)	30	30	40	40	40
Storage volume (litre)	26	26	33	33	33
Door type	Metal sheet door	Metal sheet door	Metal sheet door	Metal sheet door	Metal sheet door
Product dimensions (H x W x D, mm)	520/384/415	520/384/446	550/405/435	550/405/466	550/405/481
Can be built-in/integrated	With ventilation	With ventilation	With ventilation	With ventilation	With ventilation
Sliding hinge kit	Yes	Yes	Yes	Yes	Yes
Variable door hinge	Yes	Yes	Yes	Yes	Yes
LED interior light	LED top light	LED top light	LED top light	LED top light	LED top light
Input rating (W)	55	60–70	55	60–70	45
Energy consumption (kWh/24 h)	0.259	0.535	0.262	0.576	0.130
Noise level (dB[A])	0	0	0	0	33
Energy class	F	G	F	G	C
Features	<ul style="list-style-type: none"> Noiseless Low energy consumption 1 x door rack 1 x plastic shelf Adjustable shelf 	<ul style="list-style-type: none"> Noiseless 1 x door rack 1 x plastic shelf Adjustable shelf Long lasting technology 	<ul style="list-style-type: none"> Noiseless Low energy consumption 2 x door rack 1 x plastic shelf Adjustable shelf 	<ul style="list-style-type: none"> Noiseless 2 x door rack 1 x plastic shelf Adjustable shelf Long lasting technology 	<ul style="list-style-type: none"> High performance Lowest energy consumption Integrated silent mode 2 x door rack 1 x plastic shelf Adjustable shelf
Options	Key lock	Key lock	Key lock	Key lock	Key lock



ALPHA N30S



ALPHA A30S



ALPHA N40S

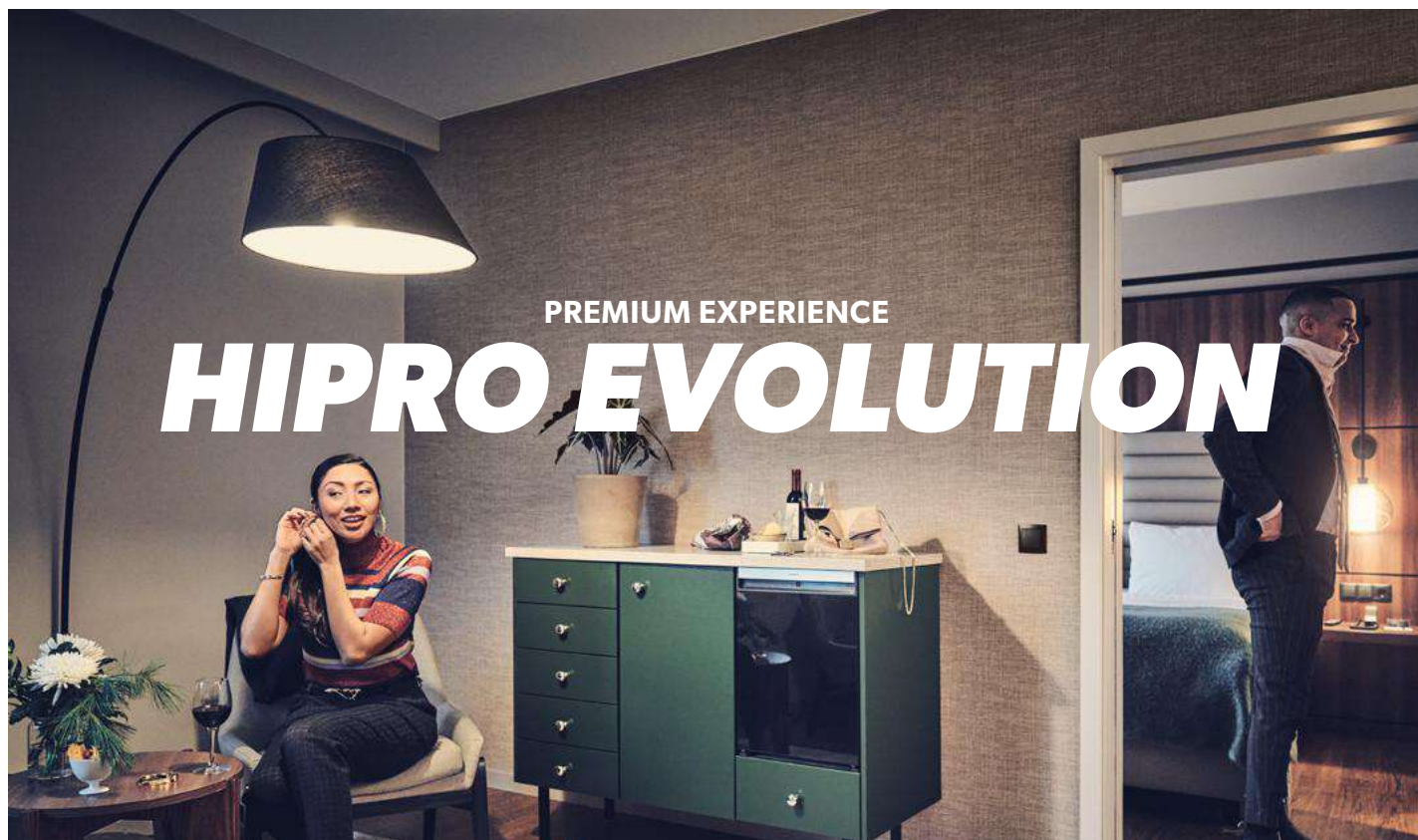


ALPHA A40S



ALPHA C40S

See the replacement guide on p. 30 and 31 which new HiPro can replace your existing minibar.



A sustainable minibar is a smart minibar. The new Dometic HiPro range is just that. It's also more efficient with improved cooling and up to 40% less energy consumption. Add to that the first chromate-free absorption inhibitor on the market and sustainability is an easy choice. After more than 50 years in the hotel business and 6 million installed units, we're proud to say that we're pioneering the hotel industry. Again.



N40G



Shelves

Tempered glass with decorative trim



Celebrating menu illumination

Ambient LED lights top + bottom



Door-racks and balconies

Door-rack 1,5 L bottles with tempered glass and decorative trim



MODEL	EVOLUTION N30S	EVOLUTION A30S	EVOLUTION N40S	EVOLUTION A40S
Cooling technology	Thermoelectric	Absorption	Thermoelectric	Absorption
Model class (litre)	30	30	40	40
Storage volume (litre)	26	26	33	33
Door type	Stainless steel door	Stainless steel door	Stainless steel door	Stainless steel door
Product dimensions (H x W x D, mm)	520/384/415	520/384/446	550/405/435	550/405/466
Can be built-in/integrated	With ventilation	With ventilation	With ventilation	With ventilation
Sliding hinge kit	Yes	Yes	Yes	Yes
Variable door hinge	Yes	Yes	Yes	Yes
LED interior light	Ambient top + bottom	Ambient top + bottom	Ambient top + bottom	Ambient top + bottom
Input rating (W)	55	60-70	55	60-70
Energy consumption (kWh/24 h)	0.259	0.535	0.262	0.576
Noise level (dB[A])	0	0	0	0
Energy class	F	G	F	G
Features	<ul style="list-style-type: none"> Noiseless Low energy consumption Ambient illumination 1 x door rack with decorative trim 2 x tempered glass shelf Adjustable shelf Aluminium handle Decorative panel on evaporator 	<ul style="list-style-type: none"> Noiseless Low energy consumption Ambient illumination 1 x door rack with decorative trim 2 x tempered glass shelf Aluminium handle Adjustable shelf Decorative panel on evaporator Long lasting technology 	<ul style="list-style-type: none"> Noiseless Low energy consumption Ambient illumination 2 x door rack with decorative trim 2 x tempered glass shelf Adjustable shelf Aluminium handle Decorative panel on evaporator 	<ul style="list-style-type: none"> Noiseless Low energy consumption Ambient illumination 2 x door rack with decorative trim 2 x tempered glass shelf Adjustable shelf Aluminium handle Decorative panel on evaporator Long lasting technology
Options	Key lock	Key lock	Key lock	Key lock



EVOLUTION N30S



EVOLUTION A30S



EVOLUTION N40S



EVOLUTION A40S

See the replacement guide on p. 30 and 31 which new HiPro can replace your existing minibar.

**FOOD & BEVERAGE
MINIBARS**



HIPRO LINE
TECHNICAL DATA



MODEL	EVOLUTION N30G	EVOLUTION A30G
Cooling technology	Thermoelectric	Absorption
Model class (litre)	30	30
Storage volume (litre)	26	26
Door type	Transparent glass door	Transparent glass door
Product dimensions (H x W x D, mm)	520/384/415	520/384/446
Can be built-in/integrated	With ventilation	With ventilation
Sliding hinge kit	No	No
Variable door hinge	Yes	Yes
LED interior light	Ambient top + bottom	Ambient top + bottom
Input rating (W)	55	60-70
Energy consumption (kWh/24 h)	0.426	0.704
Noise level (dB[A])	0	0
Energy class	G	G
Features	<ul style="list-style-type: none"> • Noiseless • Low energy consumption • Ambient illumination • 1 x door rack with decorative trim • 2 x tempered glass shelf • Adjustable shelf • Aluminium handle • Decorative panel on evaporator 	<ul style="list-style-type: none"> • Noiseless • Ambient illumination • 1 x door rack with decorative trim • 2 x tempered glass shelf • Aluminium handle • Adjustable shelf • Decorative panel on evaporator • Long lasting technology
Options	Key lock	Key lock



EVOLUTION N30G



EVOLUTION A30G



MODEL	EVOLUTION N40G	EVOLUTION A40G	EVOLUTION C40G
Cooling technology	Thermoelectric	Absorption	Compressor
Model class (litre)	40	40	40
Storage volume (litre)	33	33	33
Door type	Transparent glass door	Transparent glass door	Transparent glass door
Product dimensions (H x W x D, mm)	550/405/435	550/405/466	550/405/481
Can be built-in/integrated	With ventilation	With ventilation	With ventilation
Sliding hinge kit	No	No	No
Variable door hinge	Yes	Yes	Yes
LED interior light	Ambient top + bottom	Ambient top + bottom	Ambient top + bottom
Input rating (W)	55	60-70	45
Energy consumption (kWh/24 h)	0.435	0.727	0.153
Noise level (dB[A])	0	0	33
Energy class	G	G	C
Features	<ul style="list-style-type: none"> Noiseless Low energy consumption Ambient illumination 2 x door rack with decorative trim 2 x tempered glass shelf Adjustable shelf Aluminium handle Decorative panel on evaporator 	<ul style="list-style-type: none"> Noiseless Ambient illumination 2 x door rack with decorative trim 2 x tempered glass shelf Aluminium handle Adjustable shelf Decorative panel on evaporator Long lasting technology 	<ul style="list-style-type: none"> High performance Lowest energy consumption Integrated silent mode 2 x door rack 2 x tempered glass shelf Aluminium handle Adjustable shelf Decorative panel on evaporator
Options	Key lock	Key lock	Key lock



EVOLUTION N40G



EVOLUTION A40G



EVOLUTION C40G

See the replacement guide on p. 30 and 31 which new HiPro can replace your existing minibar.



The Dometic HiPro 60 litre class minibar generation is available within the Alpha and Evolution range with different, stylish door designs left or right hinged.

Both ranges use the proven Dometic compressor cooling technology to generate efficient, quiet and powerful comfort for hotel guests.

The state-of-the-art design of Dometic HiPro will help you create a premium in-room feeling. With sleek design, elegant illumination and crystal clear doors, invite your guests to treat themselves to something special.



THE HIPRO 60 LTR. MINIBAR GENERATION



- Available as Solid Door or Glass Door
- Door handle plastic
- 2 pcs. plastic shelves
- 7 variable slots for shelves
- Transparent balcony
- Top LED light
- Slider kit included for Solid Doors
- Silent mode for compressor
- Dimension (H x W x D): 565 x 490 x 510 mm

- Available as Solid Door or Glass Door
- Door handle Stainless Steel Hot Foil
- 2 pcs. frosted glass shelves with trim
- 7 variable slots for shelves
- Transparent balcony with trim
- Top and bottom LED light
- Slider kit included for Solid Doors
- Silent mode for compressor
- Optional Lock
- Dimension (H x W x D): 565 x 490 x 510 mm



Transparent door racks to fit 1,5L bottles



Decorative back cover and shelves



Seven positions to suit different size of bottles



Alluring illumination to promote sales

To learn more, visit us under dometic.com/hipro



**FOOD & BEVERAGE
MINIBARS**



TECHNICAL DATA

MODEL

ALPHA C60S

Cooling technology	Compressor
Model class (litre)	60
Storage volume (litre)	49
Door Type	solid door
Product Dimensions (H x W x D, mm)	565/490/510
Can be built-in/integrated	With ventilation
Sliding hinge kit	Yes
Variable door hinge	Yes
LED Interior light	Top light
Input rating (W)	45
Engery consumption (kWh/24 h)	0,146
Noise level (dB[A])	36
Energy Class	D
Features	<ul style="list-style-type: none"> • High performance • Lowest energy consumption • Integrated silent mode • 2 x plastic shelf • 7 position shelf slots • 2 x transparent balcony



ALPHA C60S



MODEL	EVOLUTION C60S	EVOLUTION C60G
Cooling technology	Compressor	Compressor
Model class (litre)	60	60
Storage volume (litre)	49	49
Door Type	Stainless steel door	Transparent glass door
Product Dimensions (H x W x D, mm)	565/490/510	565/490/510
Can be built-in/integrated	With ventilation	With ventilation
Sliding hinge kit	Yes	No
Variable door hinge	Yes	Yes
LED Interior light	Ambient top + bottom	Ambient top + bottom
Input rating (W)	45	45
Energy consumption (kWh/24 h)	0,146	0,22
Noise level (dB[A])	36	36
Energy Class	D	E
Features	<ul style="list-style-type: none"> • High performance • Lowest energy consumption • Integrated silent mode • 2 x frosted glass shelf with trim • 7 position shelf slots • 2 x transparent balcony with trim 	<ul style="list-style-type: none"> • High performance • Lowest energy consumption • Integrated silent mode • 2 x frosted glass shelf with trim • 7 position shelf slots • 2 x transparent balcony with trim
Options	Key lock	Key lock



EVOLUTION C60S



EVOLUTION C60G



PATENTED DESIGN IN TWO SIZES

DRAWER MINIBARS

Convenient slide-out access, noiseless operation, low energy consumption: Dometic drawer minibars set new standards in design and efficiency. Dometic DM 20 is the world's first noiseless 20-litre class drawer minibar. Having the same width as conventional 30-litre absorption minibars, it will easily replace them. Dometic DM 50 provides 50 litres capacity in an award-winning design featuring an automatic slide-out tray for snacks and mini bottles and an adjustable drawer for bottles and cans.

- Unique design for convenient slide-out access
- Thermoelectric cooling unit for low energy consumption
- Noiseless cooling comfort
- Patented and design awarded technology



DM 20 D



TECHNICAL DATA		
MODEL	DM 20 D/F	DM 50 NTE D/F
Model class (litre)	20	50
Storage volume (litre)	15.8	45
Cabinet colors	Anthracite	Anthracite
Dimensions built-in version (H × W × D, in mm)	DM 20 D: 365 × 384 × 428 DM 20 F: 365 × 384 × 398	DM 50 NTE D: 418 × 550 × 524 DM 50 NTE F: 418 × 550 × 496
Can be built-in/integrated	with ventilation	with ventilation
LED interior light	●	●
Input rating (W)	52	75
Energy consumption (kWh/24 h)	0.37	0.33
Noise level (dB[A])	0	0
Features	<ul style="list-style-type: none"> Highly flexible system of dividers and bottle fingers DM 20 D: with a decorative anthracite panel and handle DM 20 F: prepared for a decor panel to match the furniture design of the room 	<ul style="list-style-type: none"> Highly flexible system of dividers and bottle fingers DM 50 D: with a decorative anthracite panel and handle DM 50 F: prepared for a decor panel to match the furniture design of the room
Options	<ul style="list-style-type: none"> Lock 	<ul style="list-style-type: none"> Lock



Pull-out cool

Removeable and smooth running sliding rails for convenient use.



Light the way

LED interior light – nicely features the snacks and beverages inside.



Organized storage

Simply slides out and self closing drawer provides easy access to the contents.



D Version



F Version

D models with Dometic front panel – F models with a front panel of your choice

D Version: Door with anthracite grey Dometic front panel and handle

F Version: Door with plain front allowing the designer and furniture manufacturer to complete the door finish with a custom front panel based on our specifications (dimensions/ thickness/weight)



Energy-saving made easy. Our Classic Line models bring cooling comfort to hotels and residences. Equipped with innovative and energy-efficient absorption cooling technology, Classic Line minibars combine silent service and maintenance-free convenience with added value. All models feature energy-efficient Fuzzy Logic temperature regulation, automatic defrost and well proven Dometic design, inside and out.



RH 429 LDAG



Flexible storage

Highly flexible shelving system.



Optional handle

The minibar can optionally be equipped with a handle. (RH 429 LDAG and RH 418 NTEG.)



Variable door hinge

Easy to change from right to left hand hinge.



MODEL	RH 429 LDAG	RH 429 LD	RH 418 NTEG	RH 418 NTE
Model class (litre)	20	20	20	20
Storage volume (litre)	18	23	18	18
Cabinet color	Anthracite	Anthracite	Anthracite	Anthracite
Dimensions built-in version (H × W × D, mm)	435 × 422 × 384	435 × 422 × 384	435 × 422 × 350	435 × 422 × 350
Glass door	Yes	No	Yes	No
Can be built-in/integrated	●	●	●	●
Sliding hinge	–	●	●	●
Variable door hinge	●	●	●	●
LED interior light	●	●	●	●
Input rating (W)	75	65	65	65
Energy consumption (kWh/24 h)	0.74	0.63	0.222	0.222
Noise level (dB[A])	0	0	0	0
Features	<ul style="list-style-type: none"> • 1 adjustable metal shelf with recess for tall bottles • Glass door with aluminium frame 	<ul style="list-style-type: none"> • 1 door rack for smaller bottles • 1 adjustable metal shelf with recess for tall bottles 	<ul style="list-style-type: none"> • 1 adjustable metal shelf with recess for tall bottles • Glass door with aluminium frame 	<ul style="list-style-type: none"> • 1 door rack for smaller bottles • 1 adjustable metal shelf with recess for tall bottles
Options	<ul style="list-style-type: none"> • LED door opening control • Temperature setting by remote control • Also available as stand-alone model (FS version) • Door handle • Lock 	<ul style="list-style-type: none"> • LED door opening control • Temperature setting by remote control • Also available as stand-alone model (FS version) • Lock 	<ul style="list-style-type: none"> • LED door opening control • Temperature setting by remote control • Door handle • Lock 	<ul style="list-style-type: none"> • LED door opening control • Temperature setting by remote control • Sliding hinge • Lock



RH 429 LDAG



RH 429 LD



RH 418 NTEG



RH 418 NTE

VENTILATION GUIDELINES

HIPRO MINIBARS AND HIPRO CARE MINIFRIDGES

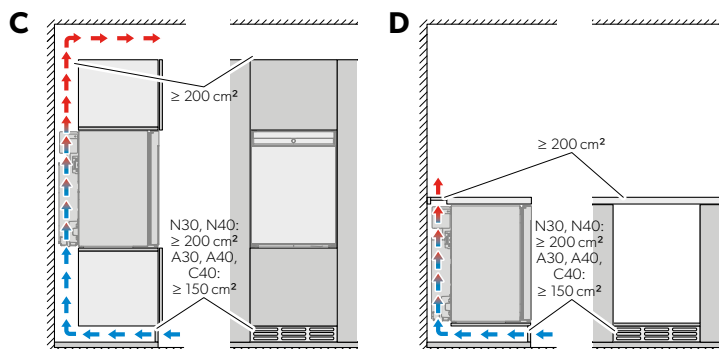
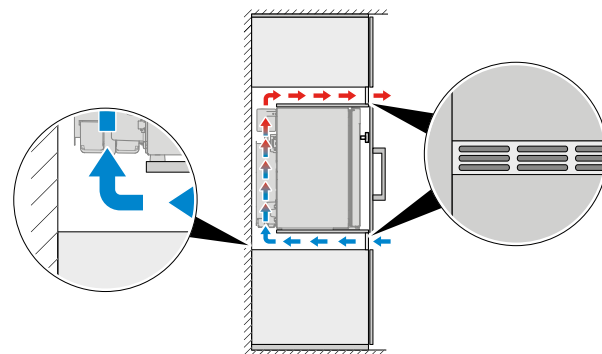
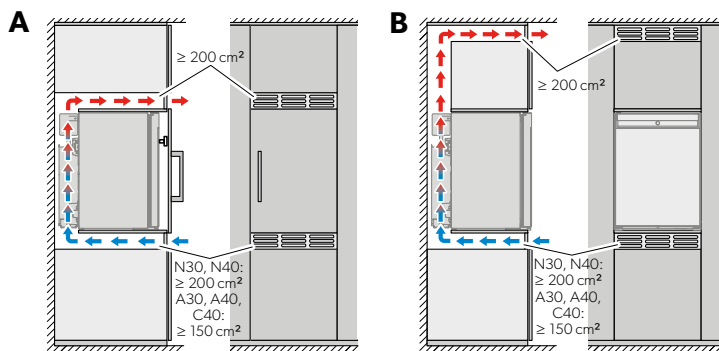
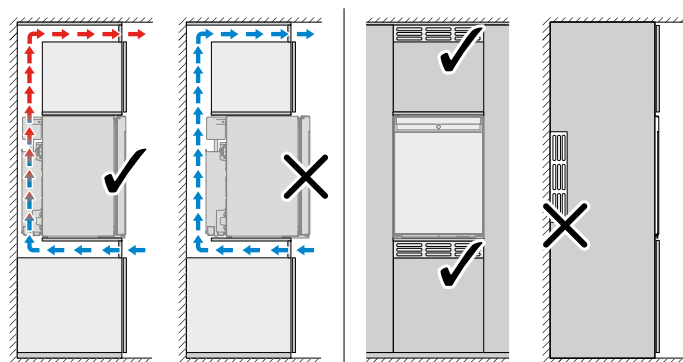
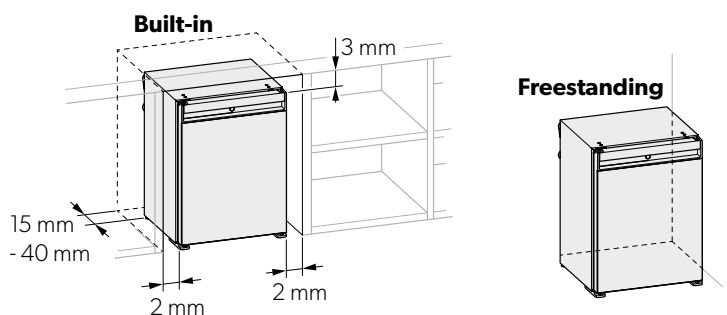
Dometic absorption fridges are equipped with an electrically heated cooling unit which is virtually silent in operation. The heat which the cooling unit extracts from the refrigerator interior is emitted at the back of the fridge. If you have a free-standing model, sufficient ventilation is provided in most cases. If you want to integrate the fridge into a piece of furniture, however, the following instructions need to met.

Please note that there must be sufficient room for ventilation behind the refrigerator to prevent heat build-up. During installation, make sure that the refrigerator is standing on a stable, level surface, and not directly near a heat source.

You can find all our documents, manuals and guidelines at documents.dometic.com.

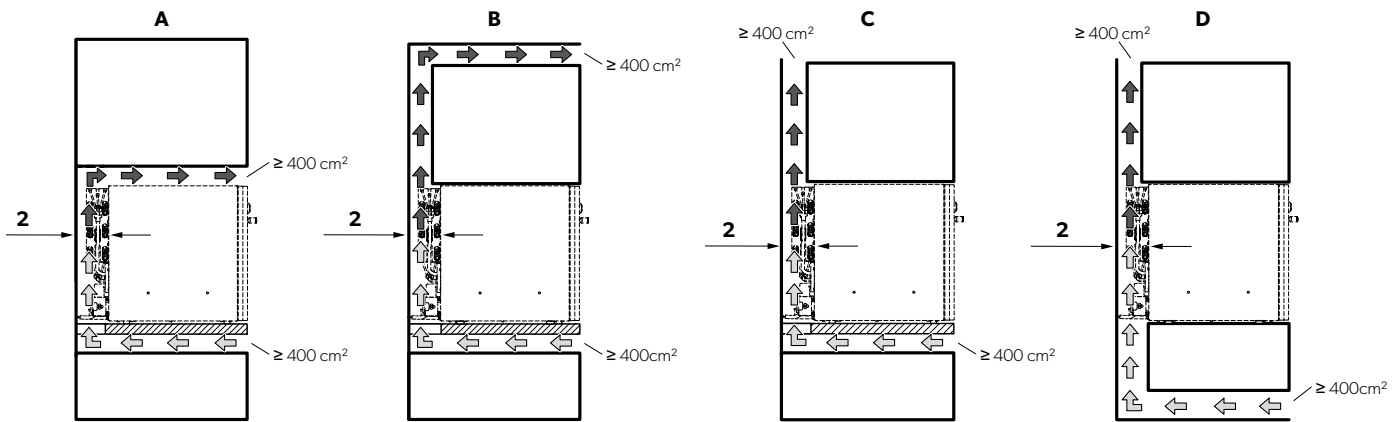
	A	B	C	D
A30	384 mm	446 mm	520 mm	356 mm
N30	384 mm	415 mm	520 mm	356 mm
A40	405 mm	466 mm	550 mm	376 mm
N40	405 mm	435 mm	550 mm	376 mm
C40	405 mm	481 mm	550 mm	376 mm

	A	B	C	D
A30SBI	384 mm	-	520 mm	446 mm
A40SBI	405 mm	-	550 mm	466 mm
C60SBI	490 mm	-	565 mm	510 mm
A30SFS	384 mm	463 mm	550 mm	356 mm
A40SFS	405 mm	483 mm	580 mm	376 mm
C60SFS	490 mm	519 mm	595 mm	410 mm

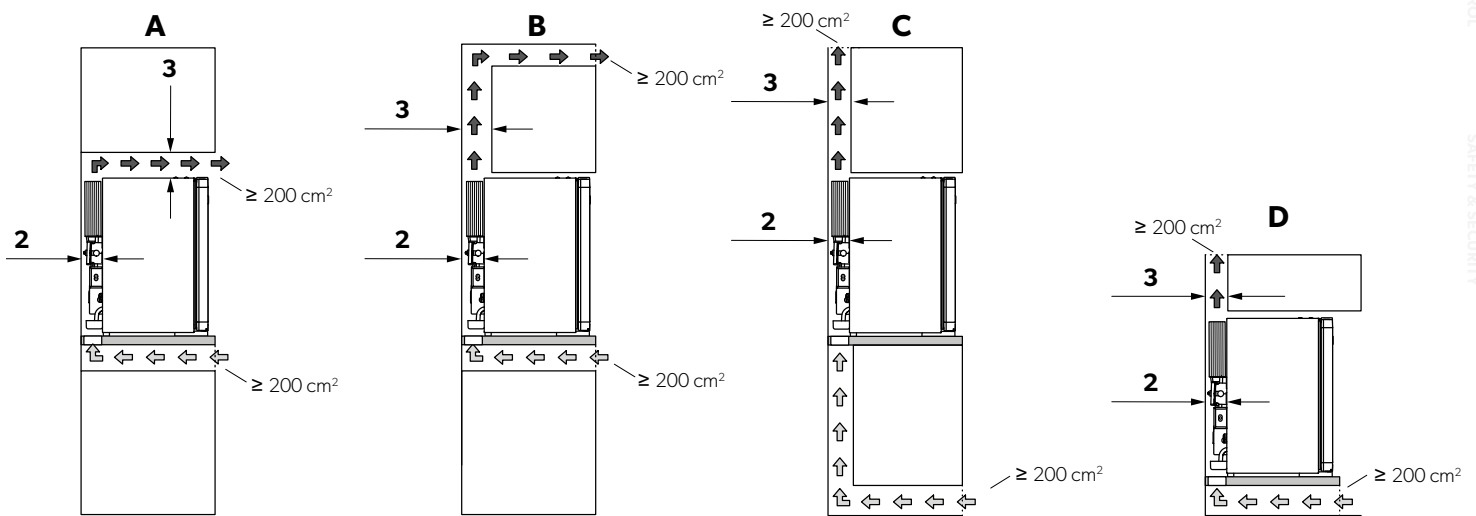


	Air inlet	Air outlet
N30, N40	$\geq 200 \text{ cm}^2$	200 cm^2
A30, A40, C40	$\geq 150 \text{ cm}^2$	200 cm^2

DM50 DRAWER MINIBARS



RH & DM20 MINIBARS



#	DM50 Minibars	#	DM20 Minibars	#	RH Minibars
2	Min. 15 mm*	2	Approx. 10 mm*	2	Min. 20 mm*
		3	Min. 10.5 mm	3	Min. 10.5 mm

*Between the minibar's back (incl. the cooling unit) and the surrounding structure

Important note

Please read these instructions carefully and follow all instructions, guidelines, and warnings included in all our product manuals in order to ensure that you install, use, and maintain our products properly at all times.

By using our products, you hereby confirm that you have read all instructions, guidelines, and warnings carefully and that you understand and agree to abide by the terms and conditions as set forth herein. You agree to use our products only for the intended purpose and application and in accordance with the instructions, guidelines, and warnings as set forth in the product manuals as well as in accordance with all applicable laws and regulations. A failure to read and follow the instructions and warnings set forth herein may result in an injury to yourself and others, damage to your product or damage to other property in the vicinity. Our product manuals, including the instructions, guidelines, and warnings, and related documentation, may be subject to changes and updates. For up-to-date product information, please visit dometic.com.

HIPRO REPLACEMENT GUIDE

Which new domestic hipro minibar can replace your old minibar

OLD MODEL	TOTAL VOLUME	OUTER PRODUCT DIMENSIONS (H X W X D IN MM)	COOLING TECHNOLOGY	NEW MODEL	TOTAL VOLUME	OUTER PRODUCT DIMENSIONS (H X W X D IN MM)	INNER PRODUCT DIMENSIONS (H x W x D w/ DR* / D w/o DR* IN MM)	COOLING TECHNOLOGY	
HiPro 3000	26L	527 x 388 x 418	Absorption	HiPro Evolution A30S	27L	520 x 384 x 446	406 x 278 x 114/ 222	Absorption	
				Alternative:					
				HiPro Evolution N30S	27L	520 x 384 x 415	406 x 278 x 114/ 222	Thermoelectric	
HiPro 4000	34L	559 x 405 x 452	Absorption	HiPro Evolution A40S	33L	550 x 405 x 466	436 x 299 x 135/ 242	Absorption	
				Alternative:					
				HiPro Evolution N40S	33L	550 x 405 x 435	436 x 299 x 135/ 242	Thermoelectric	
HiPro 6000	48L	568 x 490 x 475	Absorption	HiPro Evolution C60S	49L	565 x 490 x 510	451 x 356 x 167/ 237	Compressor	
				Alternative:					
				HiPro Evolution A40S	33L	550 x 405 x 466	436 x 299 x 135/ 242	Absorption	
HiPro Vision (Glass Door)	34L	559 x 405 x 465	Absorption	HiPro Evolution A40G	33L	550 x 405 x 466	436 x 299 x 135/ 242	Absorption	
				Alternative:					
				HiPro Evolution N40G	33L	550 x 405 x 435	436 x 299 x 135/ 242	Thermoelectric	
RH 131	31L	524 x 380 x 445	Absorption	HiPro Alpha A30S	27L	520 x 384 x 446	406 x 278 x 114/ 222	Absorption	
				HiPro Evolution A30S	27L	520 x 384 x 446	406 x 278 x 114/ 222	Absorption	
				Alternative:					
				HiPro Alpha N30S	27L	520 x 384 x 415	406 x 278 x 114/ 222	Thermoelectric	
				HiPro Evolution N30S	27L	520 x 384 x 415	406 x 278 x 114/ 222	Thermoelectric	
RH 141	41L	554 x 422 x 451	Absorption	HiPro Alpha A40S	33L	550 x 405 x 466	436 x 299 x 135/ 242	Absorption	
				HiPro Evolution A40S	33L	550 x 405 x 466	436 x 299 x 135/ 242	Absorption	
				Alternative:					
				HiPro Alpha N40S	33L	550 x 405 x 435	436 x 299 x 135/ 242	Thermoelectric	
				HiPro Evolution N40S	33L	550 x 405 x 435	436 x 299 x 135/ 242	Thermoelectric	
RH 430 LD	26L	522 x 384 x 410	Absorption	HiPro Alpha A30S	27L	520 x 384 x 446	406 x 278 x 114/ 222	Absorption	
				HiPro Evolution A30S	27L	520 x 384 x 446	406 x 278 x 114/ 222	Absorption	
				Alternative:					
				HiPro Alpha N30S	27L	520 x 384 x 415	406 x 278 x 114/ 222	Thermoelectric	
				HiPro Evolution N30S	27L	520 x 384 x 415	406 x 278 x 114/ 222	Thermoelectric	
RH 430 LG (Glass Door)	27L	522 x 384 x 420	Absorption	HiPro Evolution A30G	27L	520 x 384 x 446	406 x 278 x 114/ 222	Absorption	
				Alternative:					
				HiPro Evolution N30G	27L	520 x 384 x 415	406 x 278 x 114/ 222	Thermoelectric	
RH 430 NTE	24L	522 x 384 x 395	Thermoelectric	HiPro Alpha N30S	27L	520 x 384 x 415	406 x 278 x 114/ 222	Thermoelectric	
				HiPro Evolution N30S	27L	520 x 384 x 415	406 x 278 x 114/ 222	Thermoelectric	
				Alternative:					
				HiPro Alpha A30S	27L	520 x 384 x 446	406 x 278 x 114/ 222	Absorption	
				HiPro Evolution A30S	27L	520 x 384 x 446	406 x 278 x 114/ 222	Absorption	

OLD MODEL	TOTAL VOLUME	OUTER PRODUCT DIMENSIONS (H X W X D IN MM)	COOLING TECHNOLOGY	NEW MODEL	TOTAL VOLUME	OUTER PRODUCT DIMENSIONS (H X W X D IN MM)	INNER PRODUCT DIMENSIONS (H x W x D w/ DR* / D w/o DR* IN MM)	COOLING TECHNOLOGY
RH 439	25L	522 x 380 x 434	Absorption	HiPro Evolution A30S	27L	520 x 384 x 446	406 x 278 x 114/ 222	Absorption
				Alternative:				
				HiPro Evolution N30S	27L	520 x 384 x 415	406 x 278 x 114/ 222	Thermoelectric
RH 439 LDAG (Glass Door)	26L	522 x 380 x 434	Absorption	HiPro Evolution A30G	27L	520 x 384 x 446	406 x 278 x 114/ 222	Absorption
				Alternative:				
				HiPro Evolution N30G	27L	520 x 384 x 415	406 x 278 x 114/ 222	Thermoelectric
RH 440 LD	36L	554 x 401 x 446	Absorption	HiPro Alpha A40S	33L	550 x 405 x 466	436 x 299 x 135/ 242	Absorption
				HiPro Evolution A40S	33L	550 x 405 x 466	436 x 299 x 135/ 242	Absorption
				Alternative:				
				HiPro Alpha N40S	33L	550 x 405 x 435	436 x 299 x 135/ 242	Thermoelectric
				HiPro Evolution N40S	33L	550 x 405 x 435	436 x 299 x 135/ 242	Thermoelectric
RH 440 LG (Glass Door)	37L	554 x 401 x 456	Absorption	HiPro Evolution A40G	33L	550 x 405 x 466	436 x 299 x 135/ 242	Absorption
				Alternative:				
				HiPro Evolution N40G	33L	550 x 405 x 435	436 x 299 x 135/ 242	Thermoelectric
				HiPro Evolution C40G	33L	550 x 405 x 481	436 x 299 x 135/ 242	Compressor
RH 440 NTE	32L	554 x 401 x 425	Thermoelectric	HiPro Alpha N40S	33L	550 x 405 x 435	436 x 299 x 135/ 242	Thermoelectric
				HiPro Evolution N40S	33L	550 x 405 x 435	436 x 299 x 135/ 242	Thermoelectric
				Alternative:				
				HiPro Alpha A40S	33L	550 x 405 x 466	436 x 299 x 135/ 242	Absorption
				HiPro Evolution A40S	33L	550 x 405 x 466	436 x 299 x 135/ 242	Absorption
RH 449	32L	580 x 422 x 440	Absorption	HiPro Evolution A40S	33L	550 x 405 x 466	436 x 299 x 135/ 242	Absorption
				Alternative:				
				HiPro Evolution N40S	33L	550 x 405 x 435	436 x 299 x 135/ 242	Thermoelectric
RH 449 LDAG (Glass Door)	33L	552 x 422 x 439	Absorption	HiPro Evolution A40G	33L	550 x 405 x 466	436 x 299 x 135/ 242	Absorption
				Alternative:				
				HiPro Evolution N40G	33L	550 x 405 x 435	436 x 299 x 135/ 242	Thermoelectric
RH 460 LD	55L	563 x 486 x 474	Absorption	HiPro Alpha C60S	49L	565 x 490 x 510	451 x 356 x 167/ 237	Compressor
				Alternative:				
				HiPro Alpha A40S	33L	550 x 405 x 466	436 x 299 x 135/ 242	Absorption
RH 460 LG (Glass Door)	55L	563 x 486 x 484	Absorption	HiPro Evolution C60G	49L	565 x 490 x 510	451 x 356 x 237/ 167	Compressor
				Alternative:				
				HiPro Evolution A40G	33L	550 x 405 x 466	436 x 299 x 135/ 242	Absorption
RH 548	40L	554 x 401 x 446	Absorption	HiPro Evolution A40S	33L	550 x 405 x 466	436 x 299 x 135/ 242	Absorption
				Alternative:				
				HiPro Evolution N40S	33L	550 x 405 x 435	436 x 299 x 135/ 242	Thermoelectric
CL 440 LDC	34L	554 x 401 x 440	Compressor	HiPro Alpha C40S	33L	550 x 405 x 481	436 x 299 x 135/ 242	Compressor
				HiPro Evolution C40S	33L	550 x 405 x 481	436 x 299 x 135/ 242	Compressor
CL 440 LGC (Glass Door)	34L	554 x 401 x 450	Compressor	HiPro Alpha C40S	33L	550 x 405 x 481	436 x 299 x 135/ 242	Compressor
				HiPro Evolution C40S	33L	550 x 405 x 481	436 x 299 x 135/ 242	Compressor
CL 460 LDC	49L	562 x 485 x 475	Compressor	HiPro Alpha C60S	49L	565 x 490 x 510	451 x 356 x 167/ 237	Compressor
CL 460 LGC (Glass Door)	49L	562 x 485 x 485	Compressor	HiPro Evolution C60G	49L	565 x 490 x 510	451 x 356 x 237/ 167	Compressor

*w/ DR + w/o DR: Referring to the depth with (including) Door Rack and without Door Rack.





ES



FROM STANDARD TO PREMIUM

The range of Dometic proSafe models

Security is an essential requirement for hotel guests, and one of the main reasons for choosing or discarding a destination and a hotel. The Dometic Group aware of this, is always developing and improving all of its products in order to meet the needs of customers.

The latest product innovation Dometic has launched is a proSafe range which goes one step further in terms of design, functionality, technology and security. This proSafe range has a very modern design with a color display, an illuminated keypad, the latest anti-tampering system and a new website platform which offers the possibility to

operate the safe with the strictest security. The elegant cabinets of the new proSafe generation have rounded corners and edges for enhanced safety. Contemporary design.

- Master key
- LED interior light
- iAudit system – unique in the industry
- Remote Emergency Opening System (REOS 2.0)
– ultimate security and user comfort
- Battery level check



Premium Class

Excellence in form and function: Dometic innovations like iAudit tracking and the REOS Remote Emergency Opening System ensure security on all levels.

Standard Class

High security level combined with easy operation for perfect comfort and convenience.

PRODUCT FINDER – THE QUICK WAY TO FIND THE RIGHT PRODUCT

Laser-cut door

Our doors are precisely cut and crafted by a laser beam. This allows us to achieve 100% accuracy in dimensions and an extremely small clearance between the door and casing, making the door impossible to pry open.

Anti-Tamper system

With the anti-tampering system, Dometic offers a unique security feature for their models. All anti-tampering manipulation attempts are recorded in the electronic of the safe and can be tracked back at any time.

REOS code

REOS stands for Dometic's Remote Emergency Opening System. The emergency-opening system from Dometic is based on an innovative encoding system. The unique solution combines advanced electronics with state-of-the-art online technology to allow simple yet highly secure emergency opening by authorised hotel staff.

Premium iAudit

All operations effected on a safe must be documented – for your own security and for your insurance provider. This is where

Dometic's Premium iAudit system offers a truly convenient solution: the integrated microchip provides storage capacity for the last 1,000 events.

SAM

The unique Dometic safe management system (SAM) allows for iAudit Trail and one time emergency code generation (REOS) from a user friendly but PIN secured internet based software tool.

● Yes / – No / ○ Optional

WHAT'S IMPORTANT TO YOU?	PREMIUM CLASS	STANDARD CLASS
Easy operation	●	●
Motorised opening	●	●
LED interior light	●	●
LED display	●	●
Emergency opening with master key	●	●
Emergency opening with master code	●	●
Emergency opening with REOS Code	○	–
Anti-Tamper System	○	–
Premium iAudit	●	–
SAM	○	–
Laser-cut door	●	–
From page	34	38



SAFE TO SAY IT'S MORE CONVENIENT

PREMIUM CLASS IN-ROOM SAFES

DOMETIC PREMIUM CLASS SAFES

Protection for more privacy – comfortably and with absolute reliability. With a Dometic Premium Class proSafe, a hotel room becomes a perfectly private haven for the guest. A safe place for storage, conceived and implemented according to the newest standards. Its innovative and customisable design suits every hotel in a stylish way. Smooth surfaces and rounded edges make it easy to look after and give it long-lasting character. A color display and the integrated soft-touch keypad make operation easy. And a Premium Class proSafe

also breaks new ground when it comes to protective properties: pioneering technology like the unique iAudit and the anti-tampering system ensure security on all levels. The demand for contemporary security systems with added convenience is supported by special features such as REOS 2.0 software with its emergency code-opening system (optional).

- LED interior light
- Laser-cut door and frame
- iAudit for convenient documentation
- Emergency opening with key and master code
- Remote Emergency Opening System (REOS 2.0) – ultimate security and user comfort (optional)



WIDE CHOICE OF MODELS AND SIZES

Dometic ProSafe MD series Premium Class safes are available in various sizes to suit different capacity demands, interior designs and installation conditions. Sizes range from 8.2 to 29 litres.



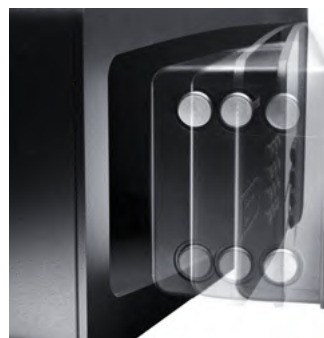
Batteries included

Dometic safes come ready to use.



Plug

Optional inside plug to charge mobile devices.



Automatic opening

Safe door opens automatically.



Fixing kit

Optional fixing kit for secure fastening.

TECHNICAL DATA			
MODEL	MD 283	MD 363	MD 383
Type of product	Electronic safe		
Capacity (litres)	8.2	24	28
Exterior dimensions (H×W×D, mm)	165 × 280 × 235	190 × 360 × 410	190 × 380 × 450
Interior dimensions (H×W×D, mm)	162 × 277 × 185	187 × 357 × 360	187 × 377 × 400
Steel thickness (mm)	Door: 5.0 / Body 1.2	Door: 5.0 / Body 1.5	Door: 5.0 / Body 1.5
Net weight (kg)	6.1	10.2	11.3
Keypad	ADA-compliant rubber keypad		
Display	White LED color display, 4-digit guest code, English language		
Locking mechanism	Two 18 mm solid steel bolts		
Locking system	Motorised with automatic opening		
Power	4 LR6/AA 1.5 V batteries (incl.)		
Cabinet color	Anthracite		
FEATURES			
LED interior light	●	●	●
Laser cut technology	●	●	●
Masterkey opening	●	●	●
Mastercode opening	●	●	●
Anti-tampering System	○	○	○
REOS	○	○	○
iAudit	●	●	●
Laptop size	–	15"	17"
OPTIONS			
	<ul style="list-style-type: none"> • Left-hand hinge • Fixing Kit 	<ul style="list-style-type: none"> • Left-hand hinge • White color • Two steps emergency code opening (REOS) • Integrated socket (EU/US/UK/FR) • Fixing Kit 	<ul style="list-style-type: none"> • Left-hand hinge • White color • Two steps emergency code opening (REOS) • Integrated socket (EU/US/UK/FR) • Fixing Kit



MODEL	MD 408	MD 493	MDD 403	MDT 403
TECHNICAL DATA				
Type of product	Electronic safe			
Capacity (litres)	22.5	29	15.7	9.7
Exterior dimensions (H × W × D, mm)	190 × 405 × 350	190 × 490 × 370	200 × 400 × 400	125 × 400 × 350
Interior dimensions (H × W × D, mm)	187 × 402 × 300	187 × 487 × 320	135 × 315 × 370	75 × 380 × 300
Steel thickness (mm)	Door: 5.0 / Body 1.5	Door: 5.0 / Body 1.5	Door: 5.0 / Body 1.5	Door: 5.0 / Body 1.5
Net weight (kg)	10.4	12.4	17.5	13.7
Keypad	ADA-compliant rubber keypad			
Display	White LED color display, 4-digit guest code, English language			
Locking mechanism	Two 18 mm solid steel bolts			
Locking system	Motorised with automatic opening			
Power	4 LR6/AA 1.5 V batteries (incl.)			
Cabinet color	Anthracite			
FEATURES				
LED interior light	●	●	●	●
Laser cut technology	●	●	●	●
Masterkey opening	●	●	●	●
Mastercode opening	●	●	●	●
ANTI-TAMPERING SYSTEM	○	○	○	○
REOS	○	○	○	○
iAudit	●	●	●	●
Laptop size	15"	17"	15"	15"
OPTIONS				
	<ul style="list-style-type: none"> • Left-hand hinge • White color • Two steps emergency code opening (REOS) • Integrated socket (EU/US/UK/FR) • Fixing Kit 	<ul style="list-style-type: none"> • Left-hand hinge • Fixing Kit 	<ul style="list-style-type: none"> • Two steps emergency code opening (REOS) • Integrated socket (EU/US/UK/FR) • Fixing Kit 	<ul style="list-style-type: none"> • Two steps emergency code opening (REOS) • Integrated socket (EU/US/UK/FR) • Fixing Kit

● Yes / – No / ○ Optional

DOMETIC STANDARD CLASS SAFES

Robustly made with user-friendly features and functions

It puts hotel guests' mind at rest to have a safe place for their valuables while travelling. Providing a secure space for important or valuable objects yet it is a distinctive feature when choosing a hotel room or suite. With a Standard Class proSafe, you can create a reliable spot in a guest room that is worth every penny. Security and functionality are paramount with all Dometic safe models. The Standard Class safe models offer your guests a high level of security thanks to their robust construction. Their simple and intuitive usability provides perfect comfort and convenience.

- Robust and reliable
- LED display
- LED interior light
- Master key and master code emergency opening
- Wide choice: vertical, horizontal, top-opening

DOMETIC PROSAFE MDL – VERTICAL OR HORIZONTAL

MDL 408



MDL 193

With quality and security at their core, these value-for-money in-room safes significantly enhance the security of existing hotel rooms.

- Value-for-money solution for upgrading hotel rooms
- Vertical or horizontal model – both with 18.4 litres capacity
- Easy installation inside a cabinet or on the wall
- Emergency opening with master code or master key
- Battery-low warning alerts users to change battery

DOMETIC PROSAFE MD 310 / 390 / 450 SAFE INVESTMENT

The doors on all the Standard Class safe models are precisely cut and crafted. Their robust construction and a locking system with extra-strong steel bolts leave no point of attack for burglars. The LED interior light minimises the risk of forgotten valuables. Fast and secure emergency opening is possible with a master key or master code (depending on the model).

- Robust, reliable construction for optimal safety
- LED interior light makes the contents visible at a glance
- Emergency opening with master key or master code



DOMETIC PROSAFE MDT TOP-OPENING SAFE

Part of the Dometic Standard Class range, the Dometic proSafe MDT 400 X top-opening safe provides a simple, yet ingenious solution that is easy to operate and safe to use. The top-opening drawer safe can be integrated in an existing furniture drawer and provides easy access to guests' valuables. At the same time it meets the highest demands on ergonomic design, comfort and security with an LED inside light for standard, master key and master code opening possibility in case of emergency, digital LED illuminated keypad, four-digit code and top-opening stabilizer arm. An audio signal confirms that the safe is securely locked.

- Convenient access from above
- LED interior light makes the contents visible at a glance
- Enough room to fit laptop and tablet computers
- Ideal for installation into existing hotel room drawer
- Stabilizer arm for smooth opening and closing of the lid



Easy operation

The operation is easy to understand and explained via the pictogram.

Handle

Integrated handle for easy opening and closing.

Light the way

Standard LED interior lighting.

Soft close

Muted door closing.

SAFETY & SECURITY

SAFETY SOLUTIONS / PROSAFE STANDARD CLASS



MODEL	MD 310	MD 390	MD 450
TECHNICAL DATA			
Type of product	Electronic safe		
Capacity (litres)	9	31.5	30.4
Exterior dimensions (H x W x D, mm)	165 x 310 x 245	200 x 390 x 480	200 x 450 x 410
Interior dimensions (H x W x D, mm)	161 x 306 x 182	196 x 386 x 418	196 x 446 x 348
Steel thickness (mm)	Door: 5.0 / Body 2	Door: 5.0 / Body 2	Door: 5.0 / Body 2
Net weight (kg)	7.1	14.3	14.5
Keypad	Rubber keypad		
Display	Red LED 4-digit guest code, English language		
Locking mechanism	Two 19 mm steel bolts		
Locking system	Motorised with automatic opening		
Power	4 LR6/AA 1.5 V batteries (incl.)		
Cabinet color	Anthracite		
FEATURES			
Confirmation buzzer	●	●	●
LED interior light	●	●	●
Door handle opening	-	-	-
Masterkey opening	●	●	●
Mastercode opening	●	●	●
Anti-tampering System	-	-	-
REOS	-	-	-
iAudit	-	-	-
Laptop size	-	17"	15"
OPTIONS			
(available for all models)	<ul style="list-style-type: none"> • Left-hand hinge • Fixing kit 		

**MDT 400X****MDL 408****MDL 193**

	Electronic safe	
9.7	18.4	18.4
130 x 400 x 350	190 x 405 x 300	405 x 190 x 300
75 x 380 x 300	187 x 402 x 245	402 x 187 x 245
Door: 3.0 / Body 1.5	Door: 4.0 / Body 1.5	
9	10	
Rubber keypad	Rubber keypad	
Red LED 4-digit guest code, English language	Red LED 4-digit guest code, English language	
Two 19 mm steel bolts	Two 18 mm solid steel bolts	
Motorised with automatic opening	Motorised	
4 LR6/AA 1.5 V batteries (incl.)	4 LR6/AA 1.5 V batteries (incl.)	
Anthracite	Anthracite	
●	–	–
●	–	–
–	●	●
●	●	●
●	●	●
–	–	–
–	○	○
–	○	○
15"	13"	13"
<ul style="list-style-type: none"> Fixing kit 	<ul style="list-style-type: none"> Left-hand hinge Fixing kit White cabinet color 	<ul style="list-style-type: none"> Left-hand hinge Fixing kit White cabinet color

● Yes / – No / ○ Optional



COOLERS





THE DOMETIC DRAWBAR

Tailored to your taste

Re-creating the feeling of a perfect evening out in the comfort of your own kitchen means getting the details right. Like un-corking a good wine and serving it at the optimal temperature, at just the right moment. The Dometic DrawBar blends elegantly into your kitchen and adds a unique finishing touch to your home. It's an enticing detail that elevates every glass and turns it into a memorable experience.



red*dot* award
product design 2022





KEY FEATURES

A PERFECT WINE EXPERIENCE

For optimal serving temperature, select one of five pre-set options, professionally tailored for different types of wine: 5, 8, 11, 14 or 17°C.

COMPACT WINE STORAGE

The Dometic DrawBar is always close at hand and fits up to five bottles, from long Riesling to large Champagne.

CONTROLLED STORING ENVIRONMENT

Powerful and efficient compressor cooling technology with electronic controls. Humidity-control tray further improves the storing environment.

DESIGNED TO STAND OUT

Soft illumination elegantly showcases your wine bottles and adds a touch of luxury to your kitchen.

PERFECT FIT

The Dometic DrawBar fits standard 60 cm wide cabinets. Glass or custom front panels ensure a refined and coordinated finish to your kitchen design.

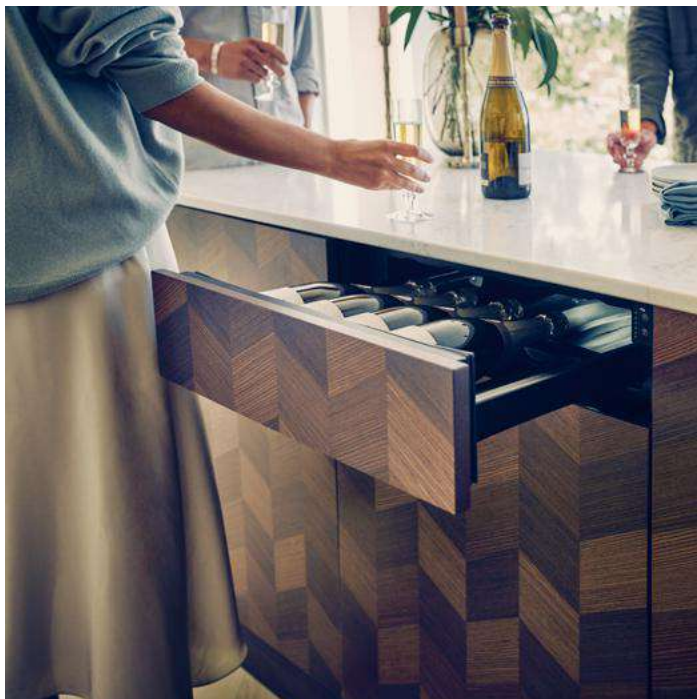
THE DOMETIC DRAWBAR RANGE



Dometic DrawBar 5B
Black glass front



Dometic DrawBar 5C
Transparent glass front



Dometic DrawBar 5S
Custom cabinet front

DRAWBAR TECHNICAL DATA			
MODEL	DRAWBAR 5B	DRAWBAR 5C	DRAWBAR 5S
Storage volume (litre)	15	15	15
Product dimensions (H × W × D, mm)	140 × 556 × 541.5	140 × 556 × 541.5	140 × 556 × 541.5
Shelves	1 metal rack	1 metal rack	1 metal rack
Door lock	No	No	No
Climate class	16–32 °C (N)	16–32 °C (N)	16–32 °C (N)
Temperature setting (°C)	5–17	5–17	5–17
Defrost	Auto	Auto	Auto
Energy class	G	G	G
Noise level (dB)	45	45	45
Refrigerant	R600a	R600a	R600a
Power cord length (m)	1.9	1.9	1.9
Electrical specifications	45W, 220V~240V 50Hz	45W, 220V~240V 50Hz	45W, 220V~240V 50Hz

BUILT-IN UNDER COUNTER WINE COOLERS

A wine cooler that fits your lifestyle

Store your treasured wine collection in optimal conditions and allow it to take center stage in your home. Dometic wine coolers provide perfect conditions for wine storage and fit seamlessly in any home. The well-engineered cooling technology ensures that the chosen temperature is quickly achieved and reliably maintained. An effective air circulation system and automatic humidity control create the perfect climate for the wine to unfold its full bouquet and flavor. The minimalistic look of the Design range and sleek design of the Classic range of Dometic wine coolers can easily fit any space and provide optimal storage for your wine collection.



KEY FEATURES

DUAL ZONE

Preserve wines in two separate temperature zones (upper zone 4 °C–12 °C; lower zone 12 °C–22 °C).

BUILT-IN

Perfect for under-counter installation.

MINIMALISTIC DESIGN*

Fully black exterior with slim handle that discreetly fits under the counter.

CLASSIC DESIGN**

Stainless steel details that match the aesthetic of other appliances in the kitchen.

PRESENTATION LIGHTS

Showcase your collection by softly illuminating the bottles in each temperature zone.

* Design range

** Classic range


**BUILT-IN RANGE
TECHNICAL DATA**

MODEL	C18B	D18B	C46B	D46B	D42B
Storage volume (litre)	60	60	145	145	120
Product dimensions (H x W x D, mm)	820 x 295 x 575	820 x 295 x 575	820 x 595 x 575	820 x 595 x 575	820 x 595 x 575
Shelves	5 wooden shelves	5 wooden shelves	5 wooden shelves	5 wooden shelves	10 wooden shelves
Door lock	Yes (2 keys)	No	Yes (2 keys)	No	No
Reversible door	Yes	Yes	Yes	Yes	Yes
Climate class	10–32°C (SN)	10–32°C (SN)	10–32°C (SN)	10–32°C (SN)	10–32°C (SN)
Winter safety system	Yes	Yes	No	No	Yes
Temperature setting (°C)	Upper zone 4–12 Lower zone 12–22	Upper zone 4–12 Lower zone 12–22	Upper zone 4–12 Lower zone 12–22	Upper zone 4–12 Lower zone 12–22	Left side 4–22 Right side 4–22
Defrost	Auto	Auto	Auto	Auto	Auto
Energy class	G	G	G	G	G
Noise level (dB)	39	39	39	39	39
Refrigerant	R600a	R600a	R600a	R600a	R600a
Power cord length (m)	1.8	1.8	1.8	1.8	1.8
Electrical specifications	220V~240V 50Hz	220V~240V 50Hz	220V~240V 50Hz	220V~240V 50Hz	220V~240V 50Hz

BUILT-IN LARGE CAPACITY WINE COOLERS

Optimal storage environment

For wine to unfold its full bouquet and flavor, both the storage conditions and the serving temperature must be right. Dometic wine coolers ensure the optimal environment for unlocking the wine's full flavors and character. The temperature is accurately controlled thanks to electronic regulation and a constant humidity level is maintained between 50–70% ensuring the corks don't dry or mold. A fan circulates the air inside the wine cooler while the integrated carbon filter eliminates any potential odors. The "low emission" treatment of the triple-glazed doors on Dometic wine coolers stops ultraviolet rays that can damage and change the character of the wine.



KEY FEATURES

DUAL ZONE

Preserve wines in two separate temperature zones (5 °C–22 °C).

BUILT-IN

Suitable for both freestanding and built-in installation.

MINIMALISTIC DESIGN*

Fully black exterior with slim handle that discreetly fits under the counter.

CLASSIC DESIGN**

Stainless steel details that match the aesthetic of other appliances in the kitchen.

PRESENTATION LIGHTS

Showcase your collection by softly illuminating the bottles in each temperature zone.

* Design range

** Classic range

**LARGE CAPACITY RANGE
TECHNICAL DATA**

MODEL
C154F
D154F
Storage volume (litre)

418

418

**Product dimensions
(H × W × D, mm)**

1756 × 595 × 675

1756 × 595 × 675

Shelves

14 full-extension wooden shelves

14 full-extension wooden shelves

Door lock

Yes (2 keys)

No

Reversible door

Yes

Yes

Climate class

10–38 °C (SN-ST)

10–38 °C (SN-ST)

Winter safety system

Yes

Yes

Temperature setting (°C)
Upper zone 5–22
Lower zone 5–22Upper zone 5–22
Lower zone 5–22
Defrost

Auto

Auto

Energy class

G

G

Noise level (dB)

40

40

Refrigerant

R600a

R600a

Power cord length (m)

1.8

1.8

Electrical specifications

220V~240V 50Hz

220V~240V 50Hz

FREE-STANDING WINE COOLERS

Precise and stylish storage for your wine

As well as excellent wine storage, a Dometic free-standing wine cooler is an attractive addition to any home. It has a classic design, with stainless steel accents and a recessed handle on the side of the door. The 3-layer glass door protects wine from damaging ultra-violet light. It stores up to 75 bottles of wine at the perfect drinking temperature (5–22°C). Coated racks safely hold each wine bottle. Its well-engineered heating and cooling technology ensure your chosen temperature is quickly achieved and reliably maintained, while an effective air circulation system creates a perfect climate for ageing your wine to unfold its bouquet and flavor.



KEY FEATURES

STORE AND AGE WINE

Provide the perfect climatic conditions for wine storage and ageing.

COATED WINE RACKS

Six coated racks are shaped to securely cradle each wine bottle.

SINGLE TEMPERATURE ZONE

Single-zone wine cooler stores wines at temperatures between 5 °C and 22 °C.

SLEEK DESIGN

Control settings are conveniently and neatly integrated into the door.

UV PROTECTION

Triple pane glass door protects wine from damaging ultra-violet light.

SOFT ILLUMINATION

White LED light softly illuminates the black interior and showcases the bottles inside.

**FREE-STANDING RANGE
TECHNICAL DATA**

MODEL
C35F
C55F
C75F

MODEL	C35F	C55F	C75F
Storage volume (litre)	80	142	190
Product dimensions (H x W x D, mm)	855 x 483 x 483	1295 x 483 x 483	1645 x 483 x 483
Shelves	6	10	19
Bottle stopper	Yes	Yes	Yes
Door lock	No	No	No
Reversible door	No	No	No
Climate class	10–38°C (SN-ST)	10–38°C (SN-ST)	10–38°C (SN-ST)
Winter safety system	Yes	Yes	Yes
Defrost	Auto	Auto	Auto
Energy class	G	G	G
Noise level (dB)	41	42	42
Refrigerant	R600a	R600a	R600a
Power cord length (m)	1.8	1.8	1.8
Electrical specifications	220V~240V 50Hz	220V~240V 50Hz	220V~240V 50Hz

THE DOMETIC WINE COOLER ACCESSORIES RANGE



Presentation shelf
Width: 595 mm



Black shelf caps
Width: 295 mm



Black shelf caps
Width: 595 mm



Replacement carbon filter



Humidity tray







MO



BAR



DOMETIC MOBAR 550

Dometic MoBar 550 is the ultimate mobile beverage center. It comes with accessories inspired by professional bartenders, and allows you to comfortably host large groups of people in your outdoor living space. With its spacious presentation and preparation area, robust stainless-steel design, heavy-duty wheels, and ergonomic handles, the MoBar can be placed at the heart of any outdoor event.

Adjustable temperature settings and dual-zone cooling provide versatility, while the generous storage capacity of its main compartment can hold up to 39 bottles or 113 cans. Up to additionally 22 bottles or 32 cans can be stored in an insulated rotomoulded ice basket, so you need never worry about running out of chilled drinks.



KEY FEATURES

MODULAR DRY STORAGE

Large dry storage area to keep everything you need within easy reach.

LARGE COLD STORAGE CAPACITY

Dual-zone refrigerator compartment comfortably holds up to 39 bottles of wine.

PROFESSIONAL ACCESSORIES

Developed in collaboration with professional bartenders.

SUPERIOR ICE RETENTION

Rotomolded presentation basket will keep bottles ice-cold.

MOOD ENHANCING LIGHTING

Keeps drinks visible, accessible, and looking enticing.

SPACIOUS PRESENTATION AREA

Prepare, mix, and present like a professional.



DOMETIC MOBAR 300

Dometic MoBar 300 is the mid-sized model of the series. It allows you to easily entertain friends and family on your patio. With its extension table, robust stainless-steel design, heavy-duty wheels, and ergonomic handles, the MoBar can be placed at the heart of any outdoor event.

Adjustable temperature setting and a space-efficient refrigeration compartment that can hold up to 19 bottles or 70 cans. Up to additionally 22 wine bottles or 32 cans can be stored in an insulated rotomolded ice basket, so you never need to worry about running out of chilled drinks.



KEY FEATURES

CONVENIENT COLD STORAGE CAPACITY

Refrigerator compartment comfortably holds up to 19 wine bottles or 72 cans.

SUPERIOR ICE RETENTION

Rotomolded presentation basket will keep bottles ice-cold.

DRY STORAGE

To keep everything you need within easy reach.

MOOD ENHANCING LIGHTING

Keeps drinks visible, accesible, and looking enticing.

SPACIOUS PRESENTATION AREA

Prepare, mix, and present like a professional.



DOMETIC MOBAR 50

The Dometic MoBar 50 is the most compact model of the series. Its size makes it perfect to easily entertain an intimate group of people on a terrace, balcony for any get-together or pop-up event.

Its spacious presentation area and robust stainless-steel design, heavy-duty wheels, and ergonomic handles allow the MoBar 50 to be placed at the heart of any outdoor event. Up to 22 wine bottles or 32 33cl cans can be stored in its insulated rotomolded ice basket, so you need never worry about running out of chilled drinks.



KEY FEATURES

SUPERIOR ICE RETENTION

Rotomolded presentation basket will keep bottles ice-cold.

AMPLE STORAGE AREA

To keep everything you need within easy reach.

EASY TO MOVE

Always where you need it.

DOMETIC MOBAR
SPECIFICATIONS



MODEL

MOBAR 50

MOBAR 300

MOBAR 550

Insulated presentation basket	Roto molded with PU foam insulation		
	24L/25 qt stores 22 wine bottles/32 cans		
Refrigerator/wine cabinet	n/a	20" single-zone, 2 wood shelves	20" dual-zone, 2 wood shelves, 1 metal shelf
	n/a	19 wine bottles 70 cans	39 wine bottles (14 upper, 25 lower) 155 cans (56 upper, 99 lower)
	n/a	Lock, illumination	Lock, illumination
Includes	Serving tray, cutting board, speed rail	Cutting board, speed rail, extension table	Serving tray, cutting board, speed rail, fresh ice container
Dimensions H x W x D	903 x 646 x 517 mm 25.6 x 22.4 x 35.4 in	980 x 717 x 622 (970 with side board) 28.3 x 24.4 (38.2) x 38.6 in	980 x 1249 x 624 mm 49.2 x 24.4 x 38.6 in

Additional accessories

Protective covers, speed rails, extension table, cutting board, serving tray, fresh ice container, and illumination light module.

THE DOMETIC MOBAR ACCESSORIES RANGE

CLIMATE

FOOD & BEVERAGE

HYGIENE & SANITATION

POWER & CONTROL

SAFETY & SECURITY



Extension table
MoBar 50



Extension table
MoBar 300 / 550



Cutting board
MoBar 50 / 300 / 550



Speed rail
MoBar 50



Speed rail
MoBar 300 / 550



Serving tray
MoBar 50 / 300 / 550



Fresh ice container
MoBar 50 / 300 / 550



Protective covers
MoBar 50
MoBar 300
MoBar 550



RESTAU & CATE



RANT RING



THE DOMETIC DELIBOX

Chef approved

Dometic is launching an unconventional transport box which can preserve the restaurant quality and temperature of the food until it reaches the customer. The product, the Dometic Food Delivery Box is currently in development, and will provide a better method of home delivery of prepared food and open up business opportunities for restaurateurs and transport companies, allowing them to enter into the ever growing food delivery business. The box, which is mounted on mopeds and motorcycles, has both heating and cooling elements that keep the food warm or cold and maintain the restaurant quality of the dish under transportation until it reaches the consumer.



CLEAN AIR

DeliBox is equipped with cold plasma surface disinfection technology that reduce bacteria build-up & smell.



CONNECT-EN-ROUTE

Keep track of every delivery and monitor the temperature during transport.



TEMP PERFECT

Active warming and cooling ensure correct temperature of all food transported and food safety.



DUAL TEMP

Dual temperature zones with active temperature control. Transport both hot and cold dishes at the same time.



Dometic DeliBox

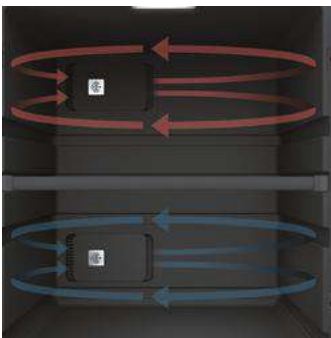
Active heating guarantees ideal food temperature

- Active warming ensures the correct temperature of all food transported and food safety
- Dual temperature zones. Transport both hot and ambient dishes at the same time
- DeliBox is equipped with cold plasma surface disinfection technology that reduce bacteria build-up & smell
- Food graded interior guarantees that the inner compartment is approved and safe for food use
- Can be mounted on most mopeds, scooters, and motorized vehicles
- Outer dimensions: W500 x H560 x D611,5 mm
- Inner dimensions: W422,4 x H482,5 x D425 mm
- Volume: 87 l
- Weight: 18 kg

Dometic DeliBox dual

Dual compartment system – Separate heating and cooling areas

- Active warming and cooling ensures the correct temperature of all food transported and food safety
- The connectivity feature keeps track of every delivery and monitors the temperature during transport
- Dual temperature zones. Transport hot and cold dishes at the same time
- DeliBox is equipped with cold plasma surface disinfection technology that reduce bacteria build-up & smell
- Food graded interior guarantees that the inner compartment is approved and safe for food use
- Can be mounted on most mopeds, scooters, and motorized vehicles
- Outer dimensions: W500 x H560 x D688,5 mm
- Inner dimensions: W422,4 x H482,5 x D425 mm
- Volume: 87 l
- Weight: 23 kg



Dual temperature zones

Isolated shelf divides the inner compartment into two zones – one hot and one ambient.



Stay-in-place

Smart dividers keep food in place, even when the road's bumpy.



Power supply

Runs on a 12V or external battery pack.



Superior storage capacity

Large capacity and temperature control offers the possibility for multiple delivery trips.

**BELGIUM, NETHERLANDS
& LUXEMBOURG**

Dometic BeNeLuX

Lourdesstraat 84 B
B-8940 Geluwe

Tel +32 2 3598040
+32 (0) 478 6414 68

Mail hospitality_nl@dometric.com

DENMARK

Dometic Denmark A/S

Nordensvej 15, Taulov
DK-7000 Fredericia

Tel +45 75585966

Mail hospitality_ne@dometric.com

FINLAND

Dometic Finland Oy

Valimotie 15

FIN-00380 Helsinki

Tel +358 20 7413220

Mail hospitality_ne@dometric.com

FRANCE

Dometic SAS

6 Avenue du Poteau
Batiment B1

60300 Chamant

Tel +33 3 44633521/33

Mail hospitality_fr@dometric.com

**GERMANY, AUSTRIA
& SWITZERLAND**

Dometic GmbH

In der Steinwiese 16
D-57074 Siegen

Tel +49 (0) 271 692 134 / 142
+49 (0) 271 692 127

Mail hospitality_de@dometric.com

ITALY

Dometic Italy S.r.l.

Via Virgilio, 3

I-47122 Forlì (FC)

Tel +39 0543 754901

Mail hospitality_it@dometric.com

MIDDLE EAST & AFRICA

Dometic Middle East FZCO

P.O. Box 17860

S-D 6, Jebel Ali Freezone

Dubai

Tel +971 4 883 3858

Mail hospitality_ae@dometric.com

NORWAY

Dometic Norway AS

Elveveien 30B

3262 Larvik

Tel +47 33428450

Mail hospitality_ne@dometric.com

SWEDEN

Dometic Scandinavia AB

Gustaf Melins gata 7

S-421 31 Västra Frölunda

Tel +46 31 7341100

Mail hospitality_ne@dometric.com

SPAIN

Dometic Spain, S.L.

Avda. Sierra del Guadarrama, 16

E-28691 Villanueva de la Cañada

Madrid

Tel +34 91 833 6089

Mail hospitality_es@dometric.com

PORTUGAL

Dometic Spain, S.L.

Branch Office em Portugal

Rot. de São Gonçalo nº 1– Esc. 12

2775-399 Carcavelos

Tel +351 219 244 173

Mail hospitality_pt@dometric.com

UNITED KINGDOM & IRELAND

Dometic UK Ltd.

Dometic House, The Brewery,

Blandford St. Mary's

Dorset DT11 9LS

Tel +44 125 841 4581

Mail hospitality_uk@dometric.com

**FOR SALES IN POLAND, EASTERN
EUROPE, TURKEY & ISRAEL, PLEASE
CONTACT**

HOSPITALITY_EE@DOMETIC.COM

**FOR SALES IN GREECE, PLEASE
CONTACT**

HOSPITALITY_GR@DOMETIC.COM

We distribute our products in around 100 markets. Please mail us at: hospitality@dometric.com, or check our website Dometric.com/hospitality

USA & CANADA

Dometic Corporation

Columbia Centre 1

5600 N. River Rd

Suite 250

Rosemont, IL 60018

Tel +1 574 326 7635

Tel +1 574 294 2511

Mail hospitality_us@dometric.com

MEXICO

Dometic MX

Circuito Médicos No. 6 Local 1

Colonia Ciudad Satélite

CP 53100 Naucalpan de Juárez

Estado de México

Tel +52 55 5374 4108

Mail hospitality_mx@dometric.com

EXPORT

Dometic Competence Center

Circuito Médicos No. 6 Local 1

Colonia Ciudad Satélite

CP 53100 Naucalpan de Juárez

Estado de México

Tel +52 55 5374 4108

Mail hospitality_mx@dometric.com

AUSTRALIA

Dometic Austria

7 Nursery ave

Clayton South

Victoria 3169

Tel +61 1800 212 121

Mail hospitality_au@dometric.com

CHINA

Dometic Asia Co., Ltd

Room 803-805A, Waterfront Place Block E,

No.31, Lane 168, Daduhe Road, Putuo

District, Shanghai, China

Tel +86-21-60325088

Mail hospitality_cn@dometric.com

JAPAN

Dometic KK

Maekawa-Shibaura, Bldg. 2

2-13-9 Shibaura Minato-ku

Tokyo 108-0023

Tel +81 3 5445 3333

Mail hospitality_jp@dometric.com